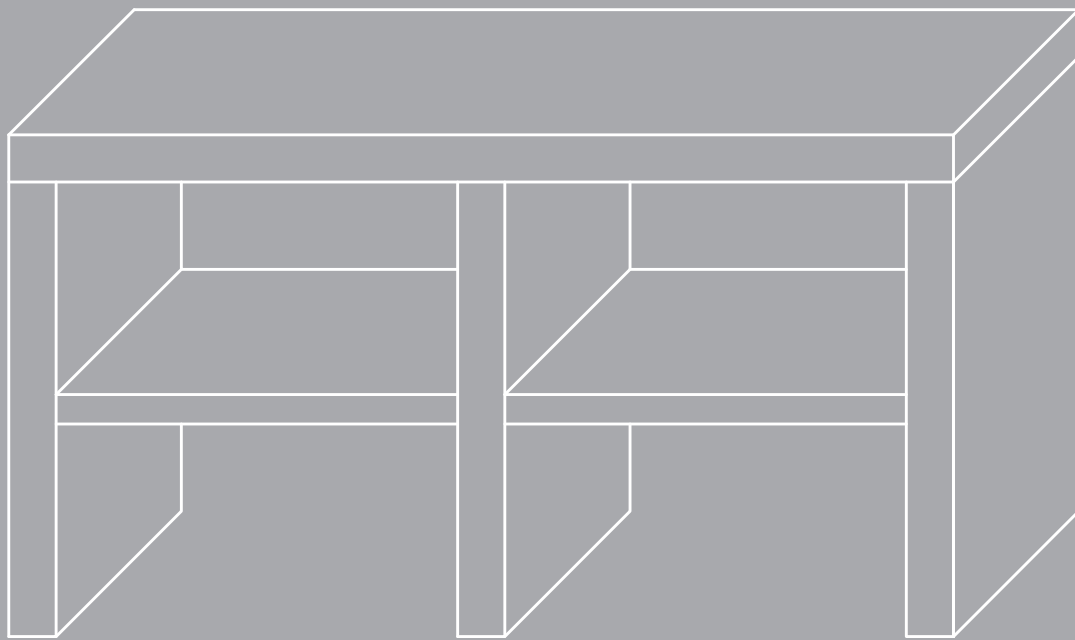


# JACKOBOARD® Modula D 1600

Double washstand.

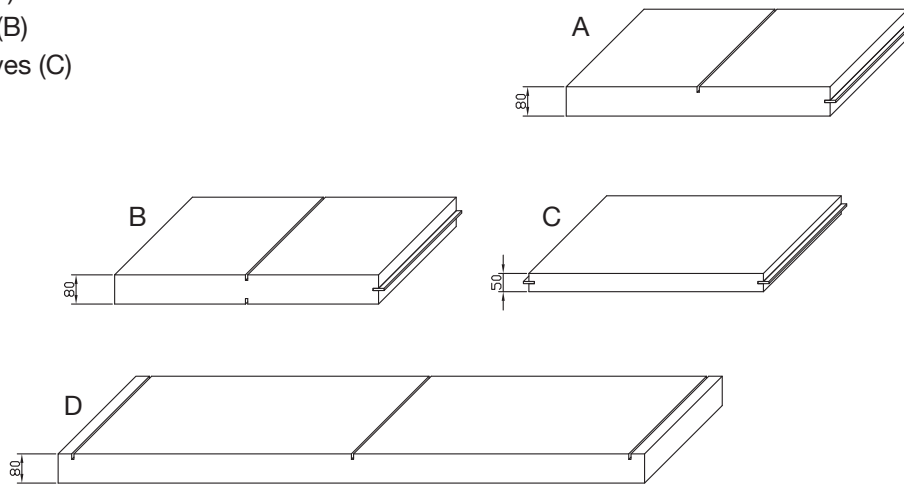


Installation Instructions



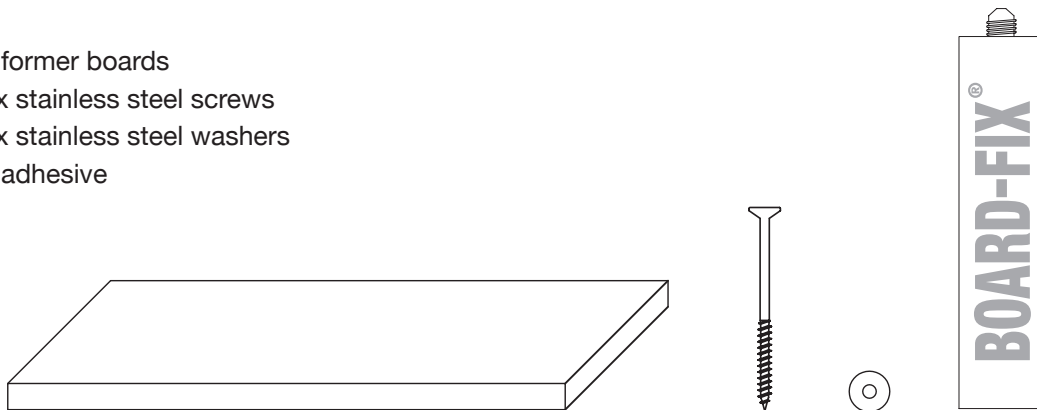
## Components

- 2 x side walls (A)
- 1 x centre wall (B)
- 2 x centre shelves (C)
- 1 x top (D)



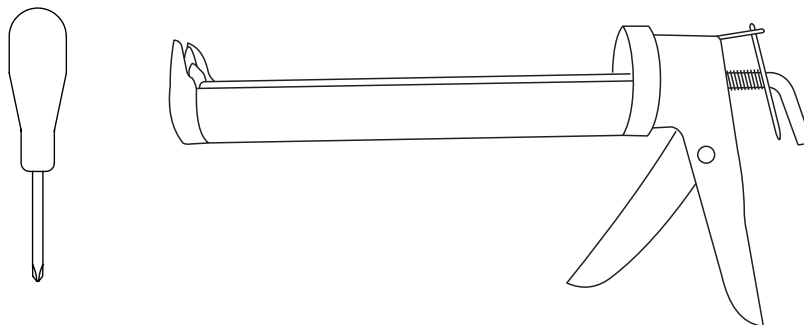
## Accessories

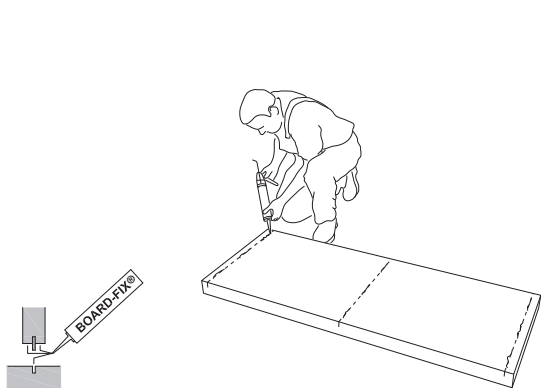
- 2 x former boards
- 14 x stainless steel screws
- 14 x stainless steel washers
- 2 x adhesive



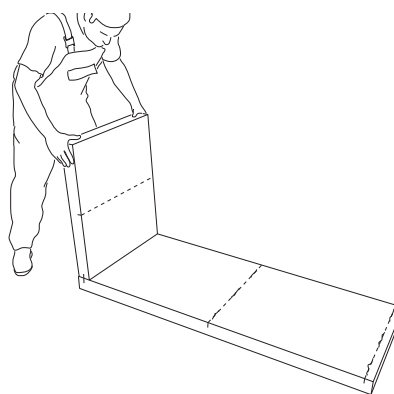
## Tools

- Screwdriver
- Cartridge gun

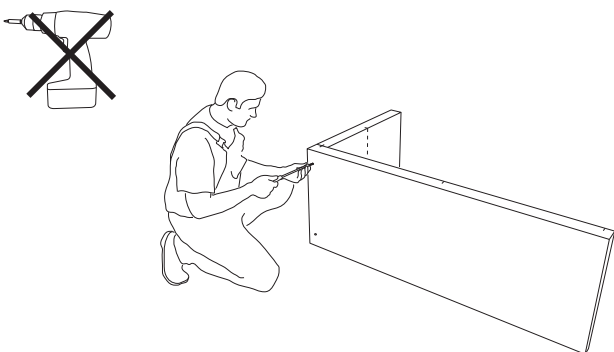




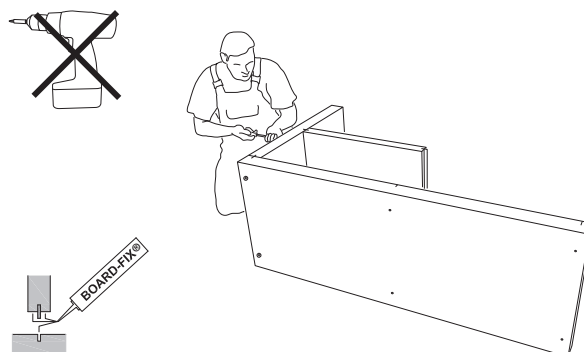
1) Apply adhesive to both joining parts (top and side wall).



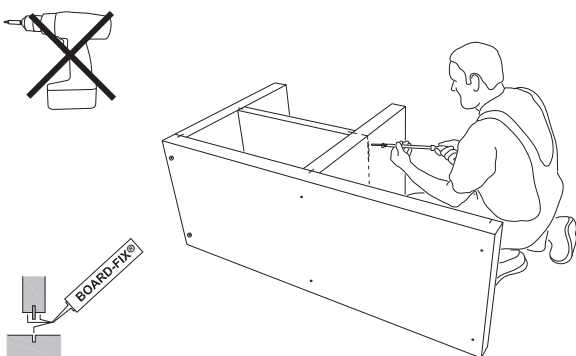
2) Insert the side wall into the groove on the top.



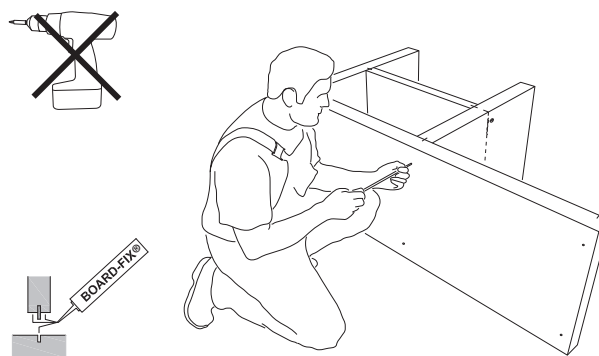
3) Screw the top to the side wall. To do this, position the screws and washers in the pre-drilled holes. Using a manual screwdriver, tighten the screws until the heads are flush with the surface.



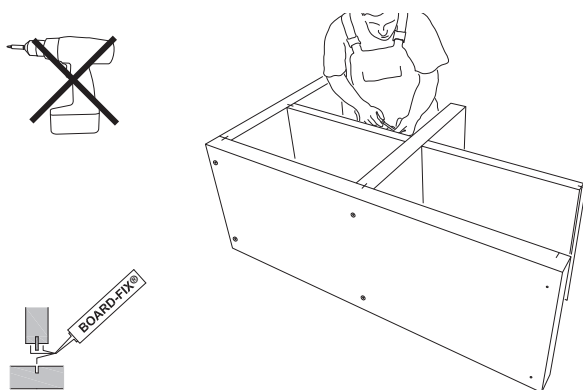
4) Apply adhesive to both joining parts (side wall and centre shelf) and screw on the centre shelf.



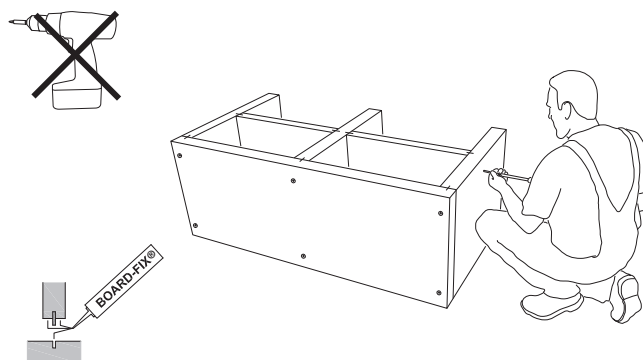
5) Once adhesive has been applied to all joining parts, screw the centre wall to the centre shelf.



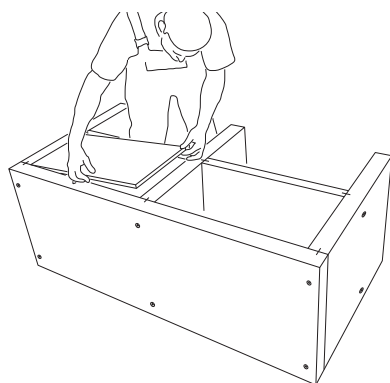
6) ...then screw the table top to the centre wall.



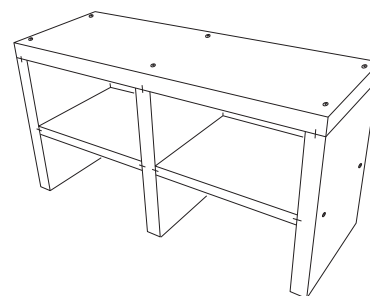
7) Apply adhesive to the 2nd centre shelf and screw it tight.



8) Apply adhesive to the 2nd side wall and screw it tight.



9) Press the former boards into the upper compartments of the washstand. They serve to keep it at right angles and are removed once the adhesive has hardened.



10) The washstand is now complete. Once the adhesive has hardened (approx. 24 hours) it can be directly covered with tiles or plaster. To ensure permanency, the washstand must be bonded to the base (wall and floor) using BOARD-FIX® adhesive. Please observe the following notes.

### Notes

To ensure sufficient rigidity, the table top of the washstand should be completely tiled. A hole can be cut out of the top of the washstand to install a recessed washbasin. When doing so, please ensure that a distance of at least 100 mm is left at the front and at least 60 mm at the rear. BOARD-FIX® adhesive guarantees the permanent bonding of the washstand components and is therefore a crucial element of the assembly.

### Please note

The information in this leaflet is based on our experience and current materials specification. It represents no specific guarantee and the instructions for use outlined should be always observed together with considerations regarding building structure and existing Building Law.